

AirStar[®]



Product description

AirStar®

The **AirStar®** is the best seller amongst the stationary wind sifter models from Westeria®. 25 years of constructive development history packed into a new, appealing product design, qualifies this „compact system“ as the top of the range on the market. All the relevant sections are easily and individually adjustable with ideal accessibility of the maintenance elements at the same time. The **AirStar®** is the only wind sifter on the market with a working width of 3000 mm. Nonetheless, our engineers and technicians succeeded in realising an

extremely compact construction. The new **AirStar®** is also set up for the world-wide export of the tried and tested Westeria® windsifter technology in standard sea containers. The patented Westeria® system with the highest aerodynamic efficiency creates an unbelievable throughput of up to 400 m³/h. Of course we also offer you innovative, tailor made and sustainable technology in the area of mechanical advancement. You can choose between solutions for your whole process or individual sub areas.





Advantages

Performance

- Capacities up to 400 m³/h
- Modular system working width of 1000 mm to 3000 mm
- Individual design for every application area due to the modular adjustable expansion room
- Aerodynamic optimised blowing nozzle system with 60% higher nuclear radiation speed in the case of lower electrical power



Flow simulation of the optimised blowing nozzle system

- All wind sifters in the model range **AirStar®** are easy and quick to disassemble into modules for transport in standard sea containers
- Assembled and ready to use in just 1-2 days
- Blower integrated into the casing for easier accessibility and reduction of noise impact

Maintenance

- Standardised scaling for all setting parameters guarantee optimal reproducibility of separation results
- Feed conveyor belt adjusting system with woven plastic lifting belts prevent the spindle jacks from seizing up - even after many years of use the simple adjustability is proven without increased expenditure of effort
- Particularly generously proportioned access openings for simple and easy maintenance

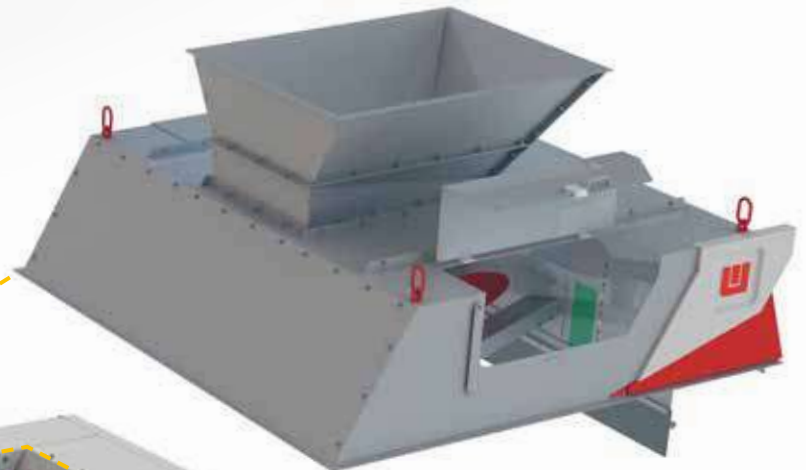
Acceleration belt

- Speed of up to 3 m/s guarantees the highest throughput with the optimal separation result
- An impact table integrated into the acceleration belt as standard prevents damage to the load bearing rollers
- Fixed connection frames independent of the movements of the acceleration belt, for easy connection of chutes
- The patented, fully automated belt steering system guarantees very long belt service lives
- Simple, tool free „one hand adjustability“ of the nozzle angle, the horizontal and vertical feed in conveyor position and the air throttle



Optional DiscSpreader®

- Optional integratable spreading mechanism **DiscSpreader®** ensures optimal material spreading, even in the case of non linear material feeding
- Enables the use of the whole machine width
- Safe material spreading over 3000 mm with a feed in belt width of 650 mm

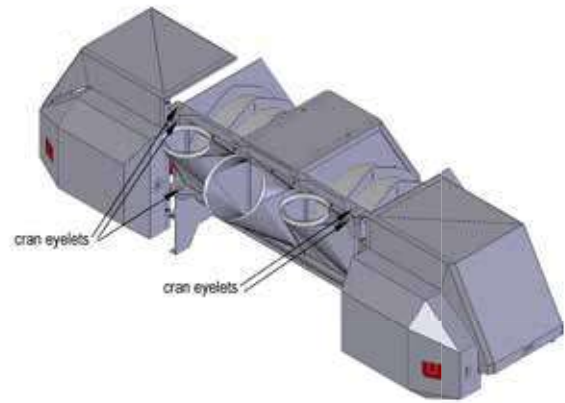
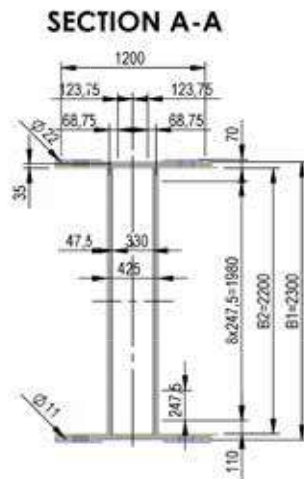
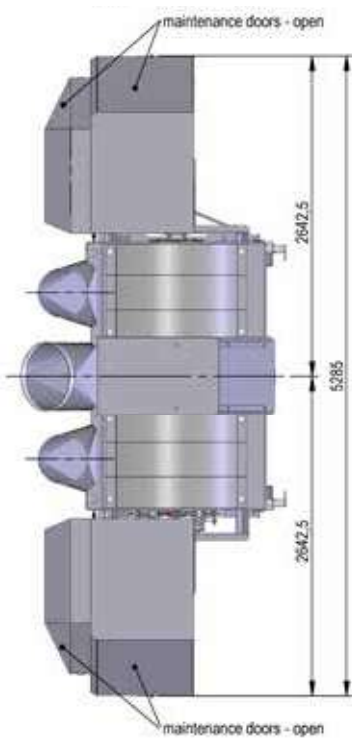
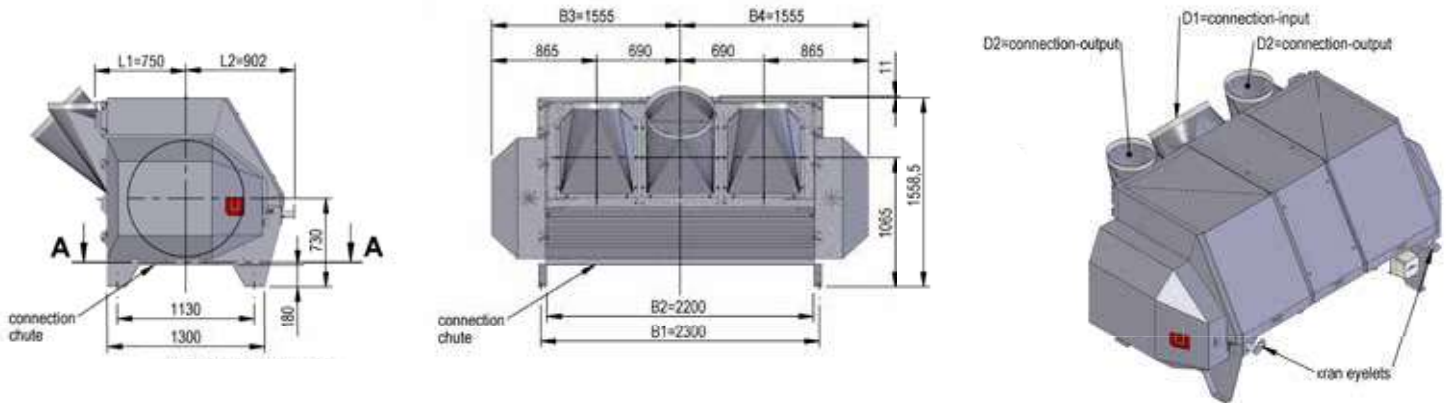


Separating drum

- The externally integrated spring loaded drum scraper system prevents damp materials from baking on
- The separating drum seal can be adjusted effortlessly from outside
- The axleless separating drum prevents material from getting clamped or wrapped between the drum and the housing
- Gas pressure damper supports drum coverage, enables very easy maintenance access

Technical data

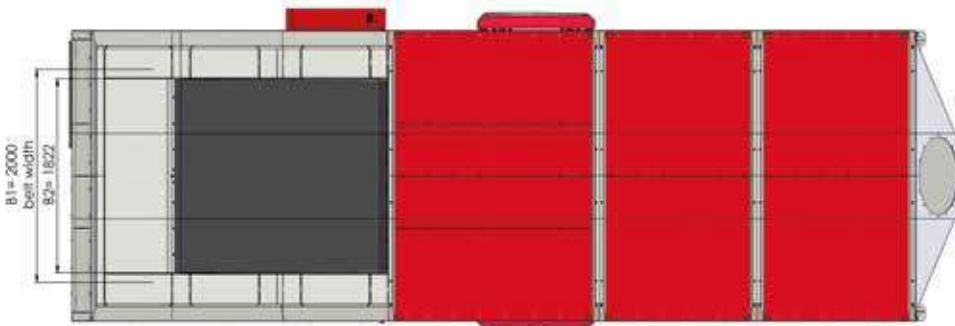
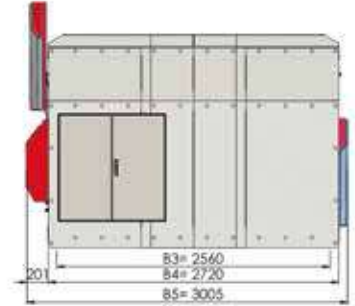
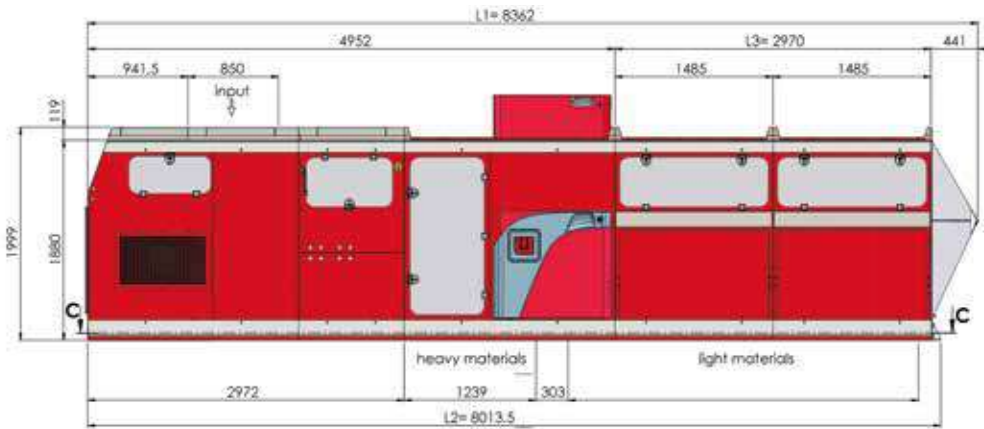
AirWheel



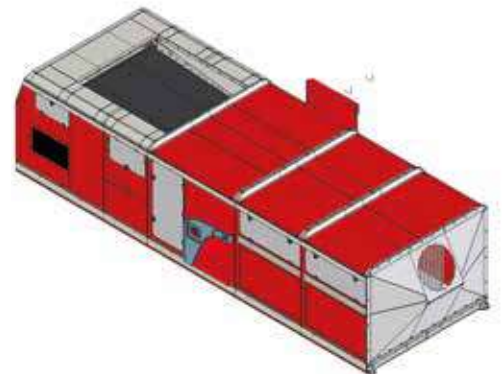
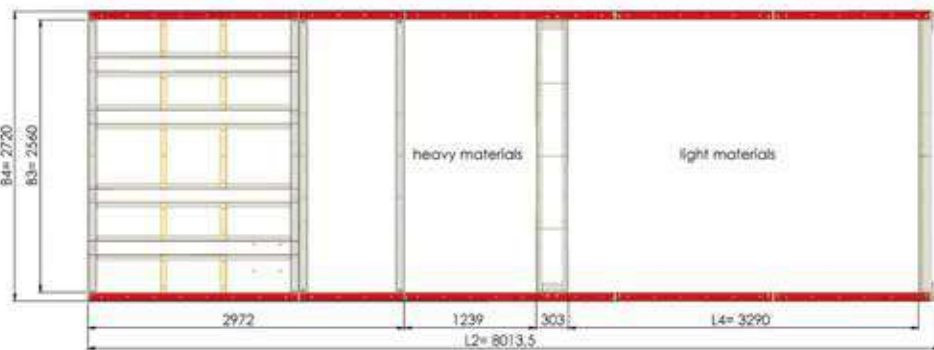
| Model | Parameter | AW-15 | AW-25 (drawed example) |
|-------|----------------------------|---------|---------------------------|
| B1 | Connection width | 1425 mm | 2300 mm |
| B2 | Inside flange width | 1325 mm | 2200 mm |
| B3 | Axis to outer edge | 1118 mm | 1555 mm |
| B4 | Axis to outer edge (drive) | 1118 mm | 1555 mm |
| L1 | Axis to outer edge | 740 mm | 750 mm |
| L2 | Axis to outer edge | 810 mm | 902 mm |
| D1 | Diameter-input | 450 mm | 560 mm |
| D2 | Diameter-output | 300 mm | 400 mm |
| - | Weight | 1340 kg | 1920 kg |

| Model | Parameter (mm) | AirStar® L1-1000 | AirStar® L2-1000 | AirStar® L3-1000 | AirStar® L1-1500 | AirStar® L2-1500 | AirStar® L3-1500 |
|-------|--|---------------------|---------------------|---------------------|---------------------|---------------------|---------------------|
| L1 | Length over all | 6877 | 8362 | 9847 | 6877 | 8362 | 9847 |
| L2 | Contact length | 6528,5 | 8013,5 | 9498,5 | 6528,5 | 8013,5 | 9498,5 |
| L3 | Length of light-material-chamber | 1 x 1485 = 1485 | 2 x 1485 = 2970 | 3 x 1485 = 4455 | 1 x 1485 = 1485 | 2 x 1485 = 2970 | 3 x 1485 = 4455 |
| L4 | Length of light-material-chamber outfall | 1805 | 3290 | 4775 | 1805 | 3290 | 4775 |
| B1 | Nominal width/belt width | 1000 | 1000 | 1000 | 1500 | 1500 | 1500 |
| B2 | Effective width | 822 | 822 | 822 | 1322 | 1322 | 1322 |
| B3 | Inside flange width | 1560 | 1560 | 1560 | 2060 | 2060 | 2060 |
| B4 | Outside flange width | 1720 | 1720 | 1720 | 2220 | 2220 | 2220 |
| B5 | Width over all (asymmetric) | 2005 | 2005 | 2005 | 2505 | 2505 | 2505 |
| | Max. transport width | 1950 | 1950 | 1950 | 2450 | 2450 | 2450 |

Windsifter **AirStar®**



SECTION C-C



| AirStar® L1-2000 | AirStar®-L2-2000 (drawed example) | AirStar® L3-2000 | AirStar® L1-2500 | AirStar® L2-2500 | AirStar® L3-2500 | AirStar® L1-3000 | AirStar® L2-3000 | AirStar® L3-3000 |
|---------------------|--------------------------------------|---------------------|---------------------|---------------------|---------------------|---------------------|---------------------|---------------------|
| 6877 | 8362 | 9847 | 6877 | 8362 | 9847 | 6877 | 8362 | 9847 |
| 6528,5 | 8013,5 | 9498,5 | 6528,5 | 8013,5 | 9498,5 | 6528,5 | 8013,5 | 9498,5 |
| 1 x 1485 = 1485 | 2 x 1485 = 2970 | 3 x 1485 = 4455 | 1 x 1485 = 1485 | 2 x 1485 = 2970 | 3 x 1485 = 4455 | 1 x 1485 = 1485 | 2 x 1485 = 2970 | 3 x 1485 = 4455 |
| 1805 | 3290 | 4775 | 1805 | 3290 | 4775 | 1805 | 3290 | 4775 |
| 2000 | 2000 | 2000 | 2500 | 2500 | 2500 | 3000 | 3000 | 3000 |
| 1822 | 1822 | 1822 | 2322 | 2322 | 2322 | 2822 | 2822 | 2822 |
| 2560 | 2560 | 2560 | 3060 | 3060 | 3060 | 3560 | 3560 | 3560 |
| 2720 | 2720 | 2720 | 3220 | 3220 | 3220 | 3720 | 3720 | 3720 |
| 3005 | 3005 | 3005 | 3505 | 3505 | 3505 | 4005 | 4005 | 4005 |
| 2950 | 2950 | 2950 | 3450 | 3450 | 3450 | 3950 | 3950 | 3950 |

Westeria® conveys values

Production, logistics, recycling – when conveying general loads or bulk material and in case of separating and sorting mixed valuable substances and materials: special solutions are necessary – they have to be economical, solid, lasting, reliable and made for special requirements.



Westeria® Fördertechnik GmbH
Raiffeisenstr. 2
D-48346 Ostbevern

Fon +49 (0) 25 32/88-0
Fax +49 (0) 25 32/77 70

verkauf@westeria.de
www.westeria.de

